

CLEANA BUCKET BROOM



AUSTRALIA'S PREMIER ATTACHMENT MANUFACTURER

Cleana Bucket Broom

Quality Australian Made, Forward & Reverse Bucket Broom. Featuring Hi Performance Hydraulic components, a hinged lid for fast emptying, heavy duty wheels and replaceable wear edge on bucket. Removable Side shift Frame Available in a variety of widths to suit all machines

Features:

- Replaceable cutting edge on bucket
- 1 piece poly brush for longer brush life and easy replacement
- Replaceable machine pickups for multiple machine use
- Removable Side shift Frame Available in a variety of widths to suit all machines
- Easy to use built-in brush adjustment handles, no tools required
- High Flow options available
- Full Range of sizes available; 1600mm, 1700mm, 1800mm, 2000mm, 2500mm and 3000m

Ideal Use:

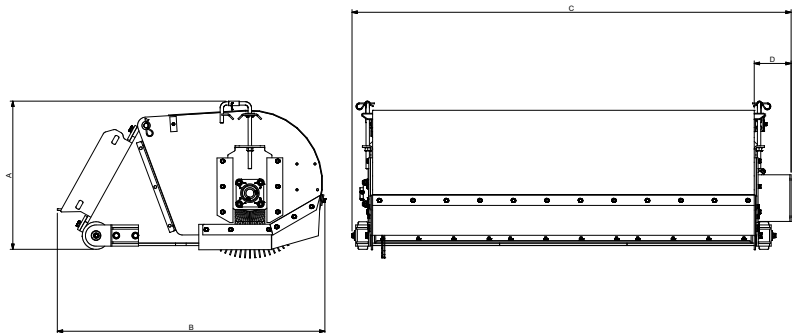
Sweeps and collects all kinds of debris in factory car parks, road construction, stock yards, shipping containers and more

Machine Suitability:

Skid Steer Loaders, Front End Loaders and Tele-Handlers.
(extra charge may be incurred for machines other than skid steer loader)



mini broom
also available



Specifications	24 x 1600	24 x 1600	24 x 1700	24 x 1700	24 x 1800	24 x 1800	24 x 2000	24 x 2000	24 x 2500	24 x 2500	24 x 3000
	STD	HF	STD	HF	STD	HF	STD	HF	STD	HF	HF
Height (overall)	699mm	699mm	699mm	699mm	699mm	699mm	699mm	699mm	699mm	699mm	699mm
Depth (overall)	1262mm	1262mm	1262mm	1262mm	1262mm	1262mm	1262mm	1262mm	1262mm	1262mm	1262mm
Width (overall)	1870mm	2010mm	1971mm	2110mm	2071mm	2210mm	2270mm	2410mm	2710mm	2910mm	3407mm
Max Flow (LPM)	30-75	75-230	30-75	75-230	30-75	75-230	30-75	75-230	30-75	75-230	75-230
Max Pressure (Bar)	205	240	205	240	205	240	205	240	205	240	240
Weight	397kgs	422kgs	413kgs	438kgs	429kgs	454kgs	461kgs	486kgs	541kgs	566kgs	621kgs

DIGGA Head Office

Brisbane QLD
4 Octal Street,
Yatala QLD 4207
Ph: (07) 3807 3330
Fax: (07) 3807 1499

DIGGA NSW

1 Gallipoli St, Smeaton
Grange, NSW, 2567
Ph: (02) 4647 1400
Fax: (02) 4647 1433

DIGGA VIC

21 - 25 Villas Road
Dandenong VIC, 3175
Ph: (03) 9706 6171
Fax: (03) 9706 6164

DIGGA WEST

13 Yampi Way,
Willetton, WA, 6155
Ph: (08) 9457 1544
Fax: (08) 9457 0748

Email: info@digga.com Web: www.digga.com

