



## 84" and 94" Dozer Blade

The Dozer Blade is a versatile attachment for dozing, leveling ground and general earthmoving work. Hydro electric controlled angle and tilt using only one loader valve.

### Features:

- Angle and Tilt cylinders are interchangeable and equipped with self aligning bushings.
- Reversible 3/4" x 200mm bolt-on cutting edge & formed moldboard 8mm thick & 700mm high.
- Large 3" center pivot pin with hardened steel bushings.
- Full length high carbon steel, replaceable skid shoe.
- Set up to default in either tilt or angle position.
- Universal skid-steer loader quick attach mounting.
- 2 year limited warranty.

### Options:

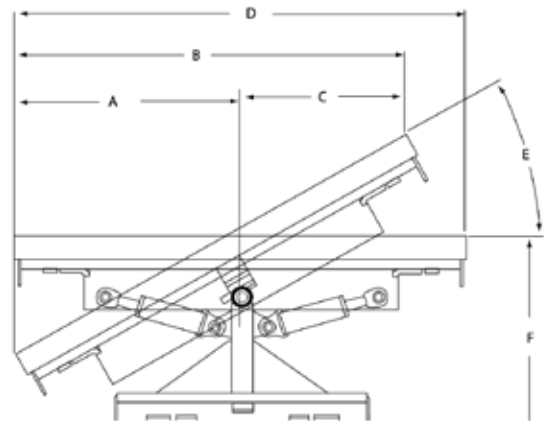
- An electrical switch.
- Plug n go 8 pin skid steer connection.
- An electrical control box.

### Ideal Use:

Earthmoving, landscaping, roadworks and more.

### Machine Suitability:

Skid steer loaders, excavators, telehandlers, backhoes and other specialised machines



Also Available  
48" Mini Tilt Dozer Blade



Specification:	84"	94"
Weight:	519Kg	590Kg
Length (O.A.L)	840mm	940mm
Height (overall)	725mm	762mm
Width (overall) (D)	2133mm	2400mm
Width at 15° angle	2082mm	2318mm
Width at 30° angle (B)	1880mm	2078mm
Angle left & right (E)	30°	30°

#### DIGGA Head Office

##### Brisbane QLD

4 Octal Street,  
Yatala QLD 4207  
Ph: (07) 3807 3330  
Fax: (07) 3807 1499

#### DIGGA NSW

1 Gallipoli St, Smeaton  
Grange, NSW, 2567  
Ph: (02) 4647 1400  
Fax: (02) 4647 1433

#### DIGGA VIC

21 - 25 Villas Road  
Dandenong VIC, 3175  
Ph: (03) 9706 6171  
Fax: (03) 9706 6164

#### DIGGA WEST

6/15 Yampi Way,  
Willetton, WA, 6155  
Ph: (08) 9457 1544  
Fax: (08) 9457 0748