

MINI HYDRAULIC DOZER BLADE



AUSTRALIA'S PREMIER ATTACHMENT MANUFACTURER



Mini Hydraulic Dozer Blade

The Digga Mini Hydraulic Dozer Blade is a versatile attachment for dozing, levelling ground and general earthmoving works.

Features:

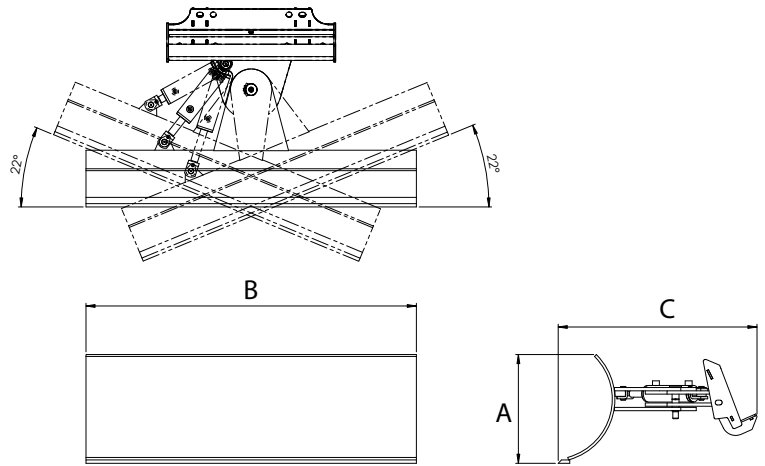
- 2 Models available: Hydraulic Angle Blade and 6 Way Dozer Blade
- Fingertip hydraulic control side shift
- 6 Way tilts from left to right
- Optional Yard Broom attachment also available

Ideal Use:

Ideal for backfilling and site clean up

Machine Suitability:

Mini Machines, Mini Loaders and Small Skid Steers



Specifications	Hydraulic Angle Blade - OK85002	6 Way Dozer Blade - OK85006
Height (A)	395mm	395mm
Width (B)	1200mm	1200mm
Length (C)	722mm	722mm
Weight (kgs)	75kgs	86kgs



84" Dozer Blade also available

GET ATTACHED

with an experienced partner

DIGGA Head Office

Brisbane QLD
4 Octal Street,
Yatala QLD 4207
Ph: (07) 3807 3330
Fax: (07) 3807 1499

Email: info@digga.com **Web:** www.digga.com

DIGGA NSW

1 Gallipoli St, Smeaton
Grange, NSW, 2567
Ph: (02) 4647 1400
Fax: (02) 4647 1433

DIGGA VIC

21 - 25 Villas Road
Dandenong VIC, 3175
Ph: (03) 9706 6171
Fax: (03) 9706 6164

DIGGA WEST

13 Yampi Way,
Willeton, WA, 6155
Ph: (08) 9457 1544
Fax: (08) 9457 0748

