

MINI STANDARD TRENCHER



AUSTRALIA'S PREMIER ATTACHMENT MANUFACTURER

Mini Standard Trencher

The Digga Mini Standard Trencher is designed specifically for mini machines with maximum power going down the chain.

Features:

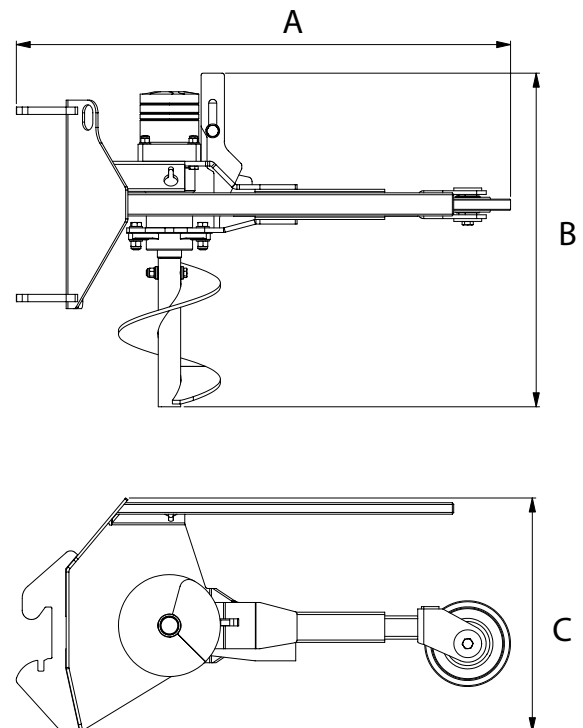
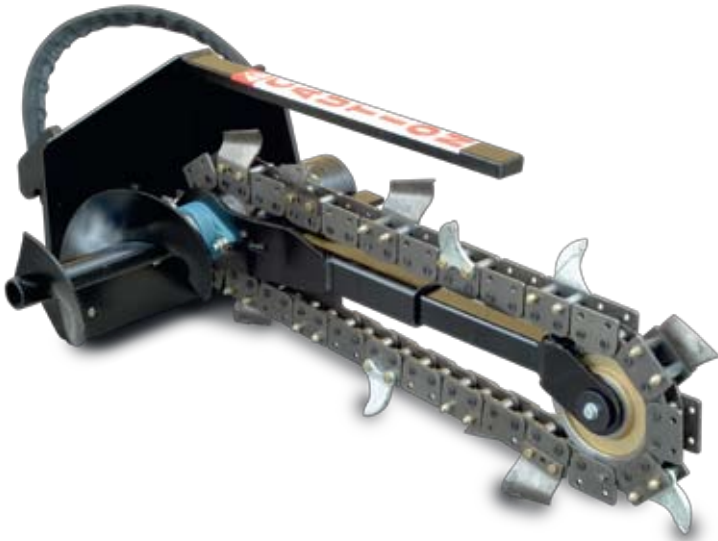
- Comes standard with Combo Chain
- Upto 900mm Digging Depth and 150mm digging width with a 1.654" chain
- Frame can be side shifted for digging close to permanent structures
- Optional cutting widths are 100mm and 200mm

Ideal Use:

Pipe laying for irrigation, underground power and communications, road repairs and general construction.

Machine Suitability:

Mini Machines, Excavators, Small Skid Steer Loader



Specifications	Mini Standard Trencher
Length (A)	1530mm
Width (B)	695mm
Height (C)	810mm
Weight (kg) - no chain	172kgs
Hydraulic Flow (LPM)	up to 45
Max Pressure (BAR)	220
Cutting Depths (D)	Up to 900mm
Cutting Widths	100mm 150mm 200mm



Bigfoot Trencher and Hydrive Trencher also available

DIGGA Head Office

Brisbane QLD
4 Octal Street,
Yatala QLD 4207
Ph: (07) 3807 3330
Fax: (07) 3807 1499

DIGGA NSW

1 Gallipoli St, Smeaton
Grange, NSW, 2567
Ph: (02) 4647 1400
Fax: (02) 4647 1433

DIGGA VIC

21 - 25 Villas Road
Dandenong VIC, 3175
Ph: (03) 9706 6171
Fax: (03) 9706 6164

DIGGA WEST

13 Yampi Way,
Willetton, WA, 6155
Ph: (08) 9457 1544
Fax: (08) 9457 0748

Email: info@digga.com **Web:** www.digga.com



AUTHORISED
DIGGA DEALER