

MINI UNDER ROAD BORER



AUSTRALIA'S PREMIER ATTACHMENT MANUFACTURER



Mini Under Road Borer

Digga's Mini Under Road Borer has a horizontal head which drops below ground level for under road boring or reaming.

Features:

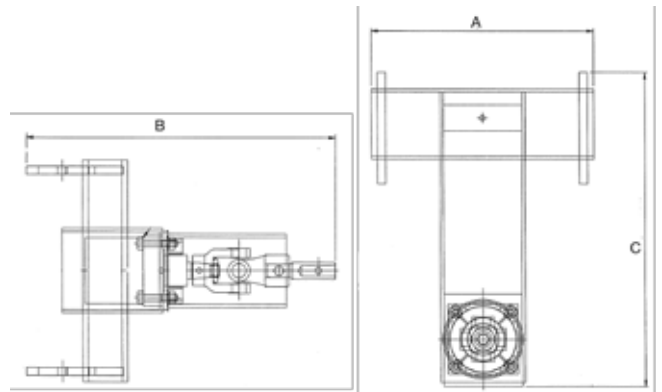
- Eliminates pavement removal for pipe and cable laying.
- Custom Under Road Borers enable stacking of augers.
- 1500mm Extra Long Continuous Flighted Augers.
- 2 Removable pilot options for the augers, 80mm in diameter and 90mm in diameter.
- 2 Auger widths available; 65mm diameter and 80mm diameter.
- Joiner and D Clip available for easy connection of the augers.

Ideal Use:

Under Road Boring and reaming for installation of pipes and cables

Machine Suitability:

Mini Machines, Mini Excavators, Small Skid Steer Loaders



Specifications	
A Width (overall)	425mm
B Depth (overall)	590mm
C Height (overall)	604mm
Max Flow (LPM)	up to 45
Max Pressure (BAR)	220
Weight	46kgs

Digga Have a Full Range of Premium Drives, Supa Drives and Mega Drive also available

GET ATTACHED

with an experienced partner

DIGGA Head Office

Brisbane QLD

4 Octal Street,
Yatala QLD 4207
Ph: (07) 3807 3330
Fax: (07) 3807 1499

DIGGA NSW

1 Gallipoli St, Smeaton
Grange, NSW, 2567
Ph: (02) 4647 1400
Fax: (02) 4647 1433

DIGGA VIC

21 - 25 Villas Road
Dandenong VIC, 3175
Ph: (03) 9706 6171
Fax: (03) 9706 6164

DIGGA WEST

13 Yampi Way,
Willetton, WA, 6155
Ph: (08) 9457 1544
Fax: (08) 9457 0748

Email: info@digga.com Web: www.digga.com

