



Mini Yard Broom

High performance broom, sweep all kinds of debris in factories, car parks, road construction, stock yards, shipping containers and more.

Features:

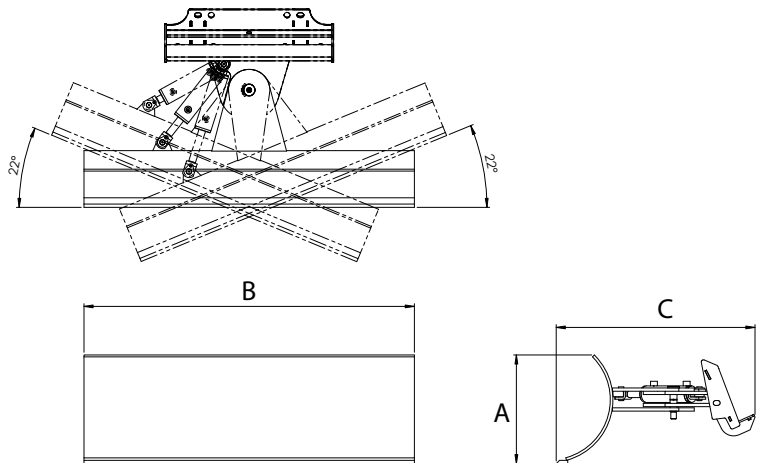
- Nylon Bristle Road broom slides onto the Mini Hydraulic Dozer Blade
- Wooden Broom head extends past Mini Hydraulic Dozer Blade minimizing damage to walls from the steel blade
- Broom prevents damage to ceramic tiles or feature side walks

Ideal Use:

Sweeps and collects all kinds of debris in most locations

Machine Suitability:

Mini Machines, Mini Excavators, Small Skid Steer Loaders



Cleana Bucket Broom and Cleana Angle Broom also available

Specifications	Mini Yard Broom
A Height (Overall)	722mm
B Width (overall)	1170mm
C Depth (overall)	395mm
Max Flow (LPM)	up to 45
Max Pressure (BAR)	220
Weight	5kgs

GET ATTACHED

with an experienced partner

DIGGA Head Office

Brisbane QLD

4 Octal Street,
Yatala QLD 4207
Ph: (07) 3807 3330
Fax: (07) 3807 1499

DIGGA NSW

1 Gallipoli St, Smeaton
Grange, NSW, 2567
Ph: (02) 4647 1400
Fax: (02) 4647 1433

DIGGA VIC

21 - 25 Villas Road
Dandenong VIC, 3175
Ph: (03) 9706 6171
Fax: (03) 9706 6164

DIGGA WEST

13 Yampi Way,
Willetton, WA, 6155
Ph: (08) 9457 1544
Fax: (08) 9457 0748

Email: info@digga.com Web: www.digga.com

