

MINI IRRIGATION PIPE LAYER



AUSTRALIA'S PREMIER ATTACHMENT MANUFACTURER



Mini Irrigation Pipe Layer

The Digga Mini Irrigation Pipe Layer is ideal for trenchless laying of irrigation pipes with adjustable hose reel and turf cutter.

Features:

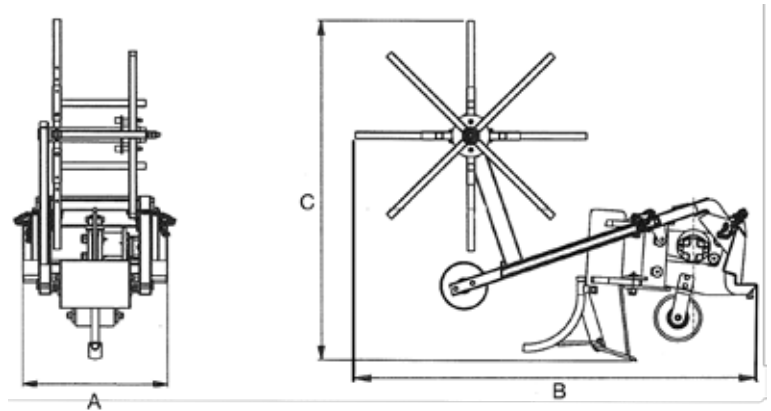
- Adjustable Turf Cutter.
- Adjustable Hose Reel.
- 150mm digging depth

Ideal Use:

Ideal for trenchless laying of irrigation pipes with minimum ground disturbance.

Machine Suitability:

Mini Loaders and small skid steers



Specification:	Mini Irrigation Pipe Layer
Weight:	200kgs
Length (Overall)	1400mm
Height (overall)	1446mm
Width (overall)	613mm
Rec Max Flow (LPM)	up to 45
Rec Max Pressure (BAR)	220
Dig Depth	150mm

GET ATTACHED

with an experienced partner

DIGGA Head Office

Brisbane QLD

4 Octal Street,
Yatala QLD 4207
Ph: (07) 3807 3330
Fax: (07) 3807 1499

DIGGA NSW

1 Gallipoli St, Smeaton
Grange, NSW, 2567
Ph: (02) 4647 1400
Fax: (02) 4647 1433

DIGGA VIC

21 -25 Villas Road
Dandenong VIC, 3175
Ph: (03) 9706 6171
Fax: (03) 9706 6164

DIGGA WEST

13 Yampi Way,
Willetton, WA, 6155
Ph: (08) 9457 1544
Fax: (08) 9457 0748

Email: info@digga.com Web: www.digga.com

