

PROFILA

SP300 STANDARD FLOW



AUSTRALIA'S PREMIER ATTACHMENT MANUFACTURER



PROFILA

The Digga Profila is perfect for planing (mill) rock, concrete and asphalt.

Features:

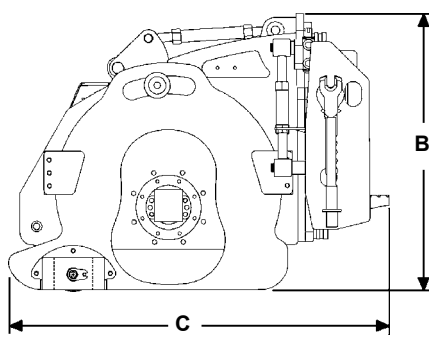
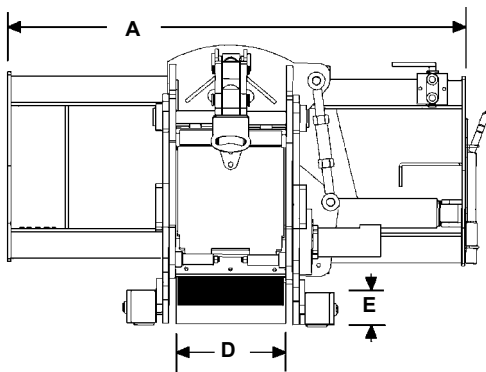
- Digga Planetary drive delivers high torque.
- All purpose picks for use on both asphalt and concrete.
- Independent self-leveling depth adjustment plates which allow for precise lapping cuts and taper cuts.
- Manual depth and tilt options available.
- Convenient ergonomic electro-hydraulic control joystick for depth, tilt and side shift (Optional).
- Water nozzle kit for dust suppression supplied as standard.
- Solid hardened steel wheels with greaseable manifold pins and secluded greased zerks.
- 300mm Standard Drum.
- 1 year limited warranty.

Machine suitability:

Skid Steer Loaders.

Ideal Use

Plane (mill) rock, concrete and asphalt.



Specifications	SP300
A Width (overall)	1320 mm
B Height (overall)	816 mm
C Length (overall)	1110 mm
D Planing Width	305 mm
E Planing Depth	0 - 127 mm
Drum Diameter	482 mm
Number of picks (Std Drum)	37
Weight	680 kgs
Hydraulic Flow Required	45 - 84 LPM
HP Range	25 - 33 HP
Operating Pressure (BAR)	170 - 240
Tilt	11°
Side Shift (centre to right)	0 mm - 482 mm

DIGGA Head Office

Brisbane QLD

4 Octal Street,
Yatala QLD 4207
Ph: (07) 3807 3330
Fax: (07) 3807 1499

Email: info@digga.com Web: www.digga.com

DIGGA NSW

1 Gallipoli St, Smeaton
Grange, NSW, 2567
Ph: (02) 4647 1400
Fax: (02) 4647 1433

DIGGA VIC

21 - 25 Villas Road
Dandenong VIC, 3175
Ph: (03) 9706 6171
Fax: (03) 9706 6164

DIGGA WEST

6/15 Yampi Way,
Willetton, WA, 6155
Ph: (08) 9457 1544
Fax: (08) 9457 0748



AUTHORISED
DIGGA DEALER